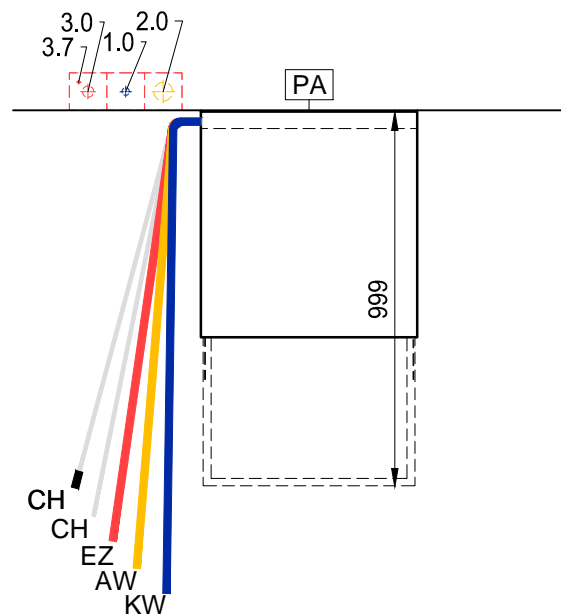
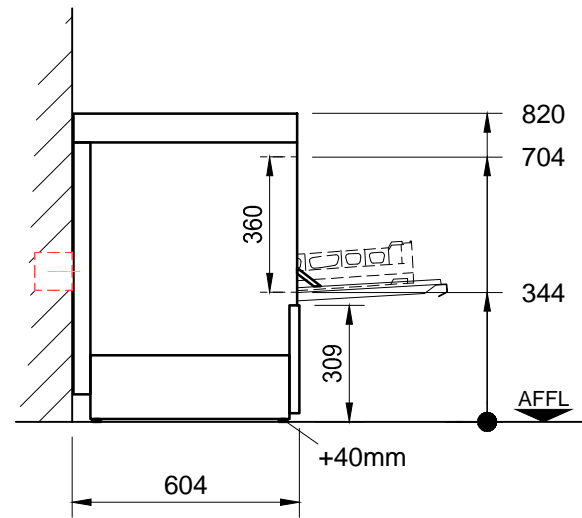
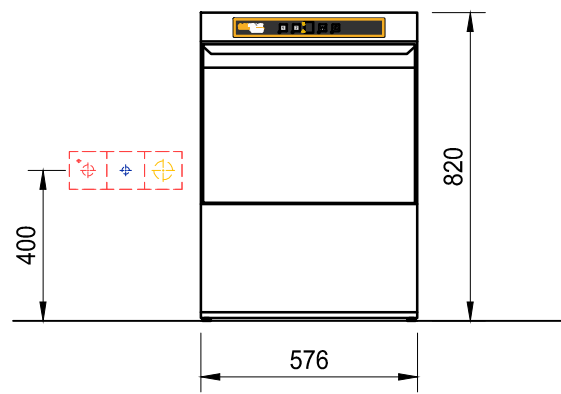


AW = drain water	KW = cold water	üOKFF = above finished floor
Dat = dataline	KWw = cold water soft	SFB = separate filling-boiler
EZ = power line (supply)	LR = conduit Ø	VEW = demineralized water
FD = floor opening	CNS = stainless steel (inox)	WD = wall opening
HW-VL = hot water flow	MK = supply channell	WS = wall slot
HW-RL = hot water return	PA = equipotential conductor	WW = warm water
KB = cored hole Ø	STL = control line	WWw = warm water soft



Connections: The connection of the dishwasher to all services (e.g. electrical, water, drain, exhaust) must comply with all national and local codes of practice and must be carried out by qualified people.

Attention: If the dishwasher has a frequency inverter included and is connected after a RCD (FI PROTECTIVE SWITCH), this must be AC/DC sensitive type B.

Exhaust: A frost-protection flap is recommended if the exhaust air from the machine is ducted directly outside. If an exhaust hood is installed on top of the dishwasher, an airgap of min. 150mm needs to be maintained. Operational fluctuations can lead to a temporary higher exhaust temperature and humidity (VDI 2052)

Dimensions: Dimensions in the drawing are finished dimensions in Millimeters.

Transport: Minimum measurements of entry doors = outer largest dimension of machine height + 300mm; machine width + 400mm!

Shut-off valves: The isolating valves for rinse water, tank filling or demi-rinse are to be supplied by others.

Wash result: A streak free result is achievable with low mineral concentration of the rinse water only (see caption "water/conductivity"). If necessary a de-mineralization system should be installed.

Floor drain: Splash floor drains should be installed for machine cleaning and for general cleaning purpose.

Ventilation: The ventilation and exhaust for the room must be according to VDI 2052. Radiated heat emissions must be considered.

Machine-Type: Dishwasher				Heating: Electrical			
Model: Ecomax F504				Operation: front door			
Rack size: 500 x 500		Loading height: 360		Main-Switch: by others			
required supply (by others) (all installations according to local regulations) (technical feasibility must be checked on site)							
Electric	Voltage	Frequency	Supply	Fuse	Total Load	Position in mm	
3.7	PA	Equipotential				400mm AFFL	
3.0*	EZ	230 V	50 Hz	1-N-PE	1 x 16 A	2,2 kW 400mm AFFL	
3.0*	EZ	400 V	50 Hz	3-N-PE	3 x 16 A	5,9 kW 400mm AFFL	
* The Electrical supply line is prepared for 230 or 400V. The respective Data could be found in wiring diagram.							
Water	Consumption	Temp.	Hardness	Conductance	Dimension	Connection	Position in mm
2.0	AW	Drain (Siphon provided by customer) / (max. drain height 800mm)			DN50	Drain pipe	400mm AFFL
1.0	KWw	2,3 l/Rack	min. 10 °C max. 60°C	max. 3,75 clark (0,5mmol/l) / 80µS/cm required water flow min. 5l/min	DN20	G ¾ male	400mm AFFL
		25,0 l (Filling)					
Water-Flow-Pressure provided by customer min. 0,5 bar / 7,3 psi - max. 10 bar / 145 psi (Installation in accordance to DIN 1988!)							
machine-side connentions and data							
CH1 Supply hose for detergent, (blue)			2500 mm		CH2 Supply hose for rinse aid, (transparent)	2500 mm	
EZ Power cord		2000 mm	AW Drain hose ID20 / OD25		1700 mm	KWw Supply hose R¾	2000 mm
Heat-Radiation (thermal output to the room)							
washware: 1,5 kW		latent: 0,4 kW		sensible: 0,6 kW			

Index	Änderungen / Changes	Datum / Date	Name
-------	----------------------	--------------	------

Das Urheberrecht an dieser Zeichnung verbleibt bei der HOBART GmbH.
 Jede nicht von uns schriftlich genehmigte Benutzung, Verfielfältigung, Überlassung an Dritte ist strafbar und macht schadensersatzpflichtig.
 This documnet contains proprietary and confidential data of HOBART GmbH. No disclosure, reproduction or use of any part there of may be made without written permission of HOBART GmbH.

HOBART GmbH
 Robert-Bosch-Straße 17
 77656 Offenburg, Germany

Tel.: +49(0)781.600-0
 Fax.: +49(0)781.600-2319
 www.hobart.de

Datum / Date: 27.06.2017	Project:		
Gezeichnet / Drawn by: D. Weber			
Geprüft / Checked by: -			
Projectmanager:	Maßstab / Scale: 1:20	Order-No.:	Zeichnungsnummer / Drawing-No.: