



PRODUCT ADVANTAGES

- Compact glasswasher: with an installation height of only 700 mm ideal for narrow places or with integrated reverse osmosis and an installation height of 815 mm ideal for undercounter installation
- ACTIVE drying: dry, warm air combined with an innovative airflow system remove the moisture from the glasses and channels it out of the wash chamber. The glasses no longer need to be dried by hand
- VAPOSTOP: prevents vapour to escape from machine when door is opened
- VISIOTRONIC control: single button control with remaining time indicator together with text and graphic display
- 1.9 l rinsing: water consumption per cycle of only 1.9 l which results in a reduction of water, chemicals and energy consumption of 35 %
- CLIP-IN wash and rinse arms: wash and rinse arms can be removed with one hand and without any tools
- Intelligent data documentation: automatic recording of important operational data and consumptions and indication on the display
- USB-interface: comfortable download of operational data in form of a protocol via USB
- GENIUS-X² fine filter system: advanced filter system with pre-wash function reduces detergent consumption up to 35%
- Interlocked strainer: prevents operation without tank strainer
- Hygiene programme: for removal of calcium carbonate and other deposits from wash chamber

TECHNICAL DATA

Cycle times*	75 / 120 sec
Water consumption	1.9 l/rack
Tank capacity	8 litres
Tank heating	0.8 kW
Power supply	415 / 50 / 3N (240 / 50 / 1)
Booster loading	
Standard	4.2 kW
Alternative	2.8 kW
Total loading	
Standard	4.7 kW 3 x 15A
Alternative	5.6 kW 3 x 32A
Wash pump	0.6 kW 220 l/min
Rack size	400 x 400 mm
Loading height	315 mm
Noise level	62 dB (A)
Weight (gross / net)	64 / 58 kg

*Supplied with 150mm adjustable legs

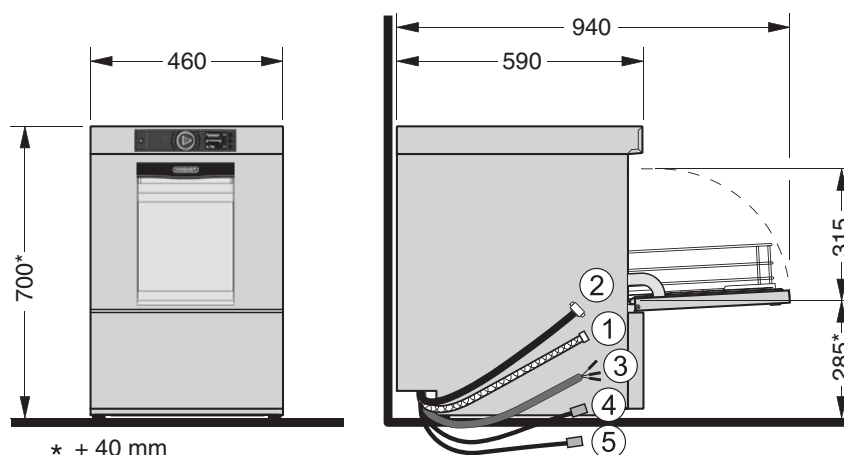
*Thermostop guarantees required temperatures with cold water and / or 240 V connection, the actual cycle times extend accordingly.

For machine protection the water hardness should not exceed 3°dH, if higher we recommend using an integrated water softener or an external water softener of the product line HYDROLINE PROTECT.

CONNECTIONS

① Drain hose	2,000 mm ID20/OD25
② Supply hose	2,000 mm R 3/4"
Required flow rate	5 l/min
Flow pressure	0.5 (0.8 with softener)- 6 bar
Max. supply water temperature	60 °C
③ Power cord	2,000 mm
Supply hose for	
④ Detergent	2,500 mm
⑤ Rinse aid	2,500 mm

DIMENSIONAL DRAWING



* + 40 mm