

## PRODUCT ADVANTAGES



- Uniformness of the cooking process:
  - Oscillating fan
  - Permeable separating grid between fan and cavity (for table models)
  - With efficient ventilator
- Speed of the cooking process:
  - Efficient and fast steam production due to latest injection technology
  - Fast temperature transition due to an open grid
  - Rapid cooling of the cavity due to cool-down function
- Efficient fully automatic cleaning system:
  - Fully automatic, economic and fast
  - Programmes:
    - Level 1: 19 minutes
    - Level 2: 25 minutes
    - Level 3: 35 minutes
    - Rinsing: 2 minutes
- Crosswise loading enables an easy handling, a better overview and more safety
- VisioPAD: Touch control panel, clear, intuitive and ergonomic
- AirControl: Continuous adjustment and oscillating fan
- JetControl: Latest injection technology and rapid cooling of the cavity
- CoreControl: Appropriate energy supply according to demand, set and actual display
- TwinControl: Patented system doubling the essential oven functions

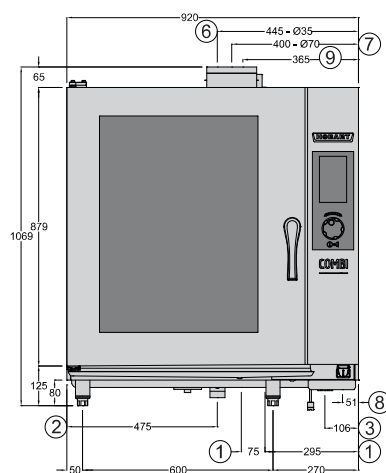
## TECHNICAL DATA

Flow pressure	1.5 – 6 bar
Recommended water hardness	0 – 3 ° dH
Total loading Electro	
Standard (Jet)	15.3 kW   23 A
Noise level	< 70 dB (A)

## CONNECTIONS

① Fresh-water connection	2x G 3/4"
② Drain connection	G 1 1/2"
③ Power connection Electro	400 / 50 / 3 / N / PE (M32)
④ Suction hose for detergent	2000 mm
⑤ Connection for potential compensation	M5
⑥ Ventilation	35 mm
⑦ Vapour extractor	70 mm

## DIMENSIONAL DRAWING



\* ⑧/⑨ only for gas models

