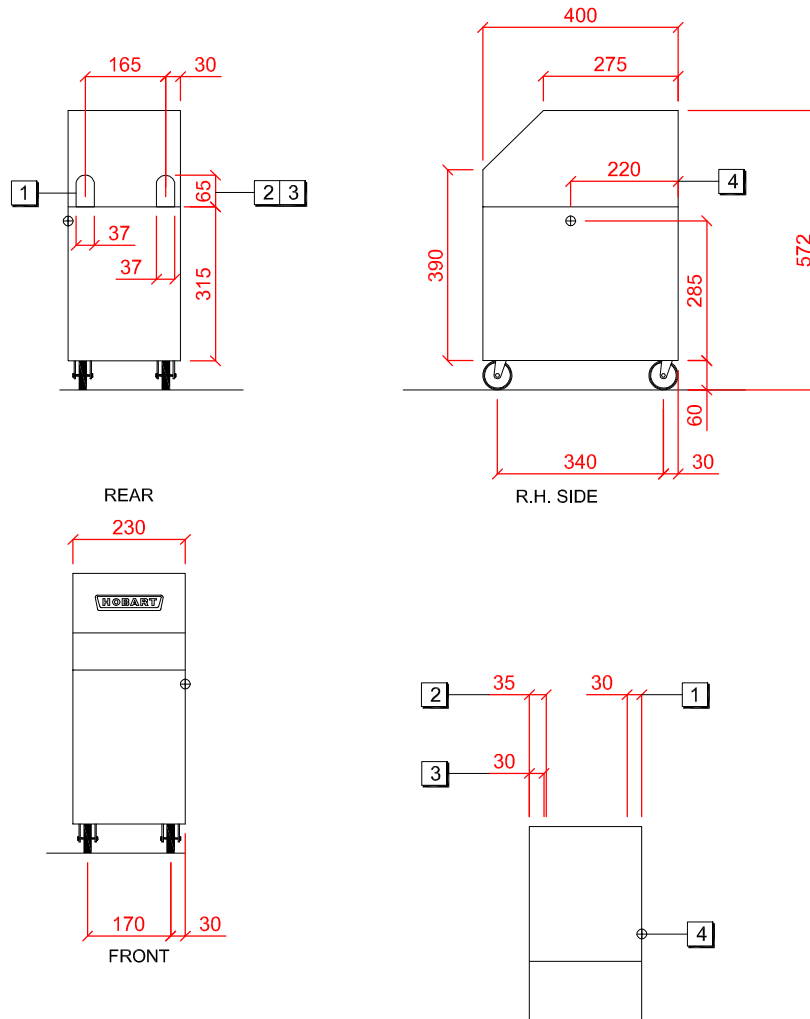


Water Treatment Unit - Economy Version

SE-H



1 2	Water
<p>1. INLET: 1.5 METRE HOSE WITH 3/4" B.S.P. FEMALE TERMINATION 2°C MIN TO 65°C MAX. 2.0 TO 6.0 BAR.</p> <p>2. OUTLET: 1.5 METRE HOSE WITH 3/4" B.S.P. FEMALE TERMINATION</p> <p>WATER SUPPLY TO HAVE INDEPENDENT ISOLATING VALVE</p>	

3 4	Drain
<p>3. PUMPED DRAIN: 1/2" BARBED FITTING FOR CONNECTION TO HOSE (NOT SUPPLIED) AND THEN TO A 40mm TRAPPED STANDPIPE AT 700mm A.F.F.L.</p> <p>4. OVERFLOW: 1/2" BARBED FITTING. (THIS IS FOR A VISIBLE SIGN OF ANY OVERFLOW AND SHOULD NOT BE CONNECTED IN SUCH A WAY AS NOT TO BE VISIBLE)</p>	

Electric Loading
<p>230/50/1 30watt 13 AMP FUSED SPUR. 2 METRE CABLE SUPPLIED.</p> <p>SPECIAL NOTE: ELECTRICAL INSTALLATIONS SHOULD COMPLY WITH CURRENT BS REGULATIONS.</p>
Notes
<p>NOMINAL SALT CAPACITY 10kg SALT TABLETS ONLY NOT GRANULAR OR POWDER</p>