

HOBART

PROLITE

UNDERCOUNTER DISHWASHERS FXB / FXLB





PROLITE

TOTAL PERFORMANCE IN YOUR KITCHEN

At HOBART, we take pride in providing reliable and innovative high quality kitchen equipment that has been engineered to ensure that whatever challenges the day may bring - you can make it happen with HOBART. **Let's make it happen!**

PROLITE **FXB**

The model for reliable and simple washing of tableware, cutlery and glasses. Ideally suited for use in restaurants, bistros and cafés.



PROLITE **FXLB**

The model with the XL depth of the wash chamber cleans baking trays and meat trays with no trouble. This makes it the ideal partner for bakers, butchers and fast food outlets.



BEST WASH RESULT

GENIUS-X FINE FILTER SYSTEM

Best wash result and lower consumptions

The GENIUS-X fine filter system continuously puts the wash water through a system of strainers and filters during the washing process.

Your benefits

- lower, constant water consumption
- precise dosing of the detergent and rinse aid as required
- reduced energy consumption
- no water exchange necessary

THERMOSTOP FUNCTION

Hygienic wash result

Automatic cycle time control to achieve hygienic rinsing temperatures.

EASY HANDLING

ELECTRONIC CONTROL

Everything at a glance

With digital temperature indication and 3 programmes for easy operation.

CLIP-IN WASH- AND RINSE ARMS

Make cleaning the machine as simple as possible

To make your work as easy as possible, both wash and rinse arms can be removed using the CLIP-IN system in just one step. Following cleaning, all it takes is another click to put the washing attachment back in place.



HIGH LEVEL OF ECONOMY



FAST AND ECONOMICAL

Shorter cycle times increase productivity

Low water consumption and short cycle times are important factors for reducing costs and saving time. For this machine, the shortest cycle time is only 90 seconds. As a result, it manages up to 40 racks of hygienically washed dishes per hour.

2IN1 DOUBLE RACK SYSTEM

Double the wash volume – at half the costs

With the double rack system, the capacity of your undercounter dishwasher is increased considerably, as two racks can be washed at the same time. Here, the top rack is placed on a pull-out rack carrier.

Key data

- The top rack accommodates plates with a maximum diameter of 250 mm.
- The bottom rack has room for cups, glasses and small bowls of max. 110 mm height.

For you this means

Thanks to the optimum use of the dishwasher capacity, it is possible to reduce the consumption of water, energy and chemicals by 50 % compared to conventional usage.

RELIABILITY & FLEXIBILITY

SMOOTH COUNTERBALANCED DOOR

Soft, silent opening and closing

The dishwasher doors have gas-filled shock absorbers to protect your tableware and prevent wear of the door suspension.

What's more: The flat rack guides on the inside of the door make loading and unloading the rack easy.

DOUBLE-WALLED HOUSING

Reduced noise and energy emission

The machine is double-walled, soundproof and heat-insulated.

XL WASH CHAMBER

More space for increased performance

With the **PROLITE** FXLB machine, you can wash large items effortlessly. The larger XL wash chamber provides space for wash ware up to **600 x 400 mm**, such as trays, baking sheets, and EN containers.

BOTTLE WASHING SYSTEM

Hygiene and flexibility are two of the most important factors for anyone who has to wash reusable bottles and decanters, be it a catering establishment, hotel or member of the healthcare sector. The retrofittable bottle washing system by HOBART delivers both. **Simply clean.**

THE SUCCESSFUL CONCEPT

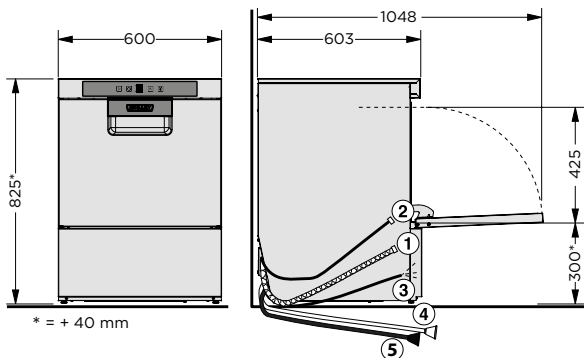
- **SPRAY ATTACHMENT:** The spray attachment developed for washing bottles can also be retrofitted for use in all HOBART undercounter dishwashers. Funnel-shaped spray nozzles squirt the water directly inside the bottle. A clip-slide system means that the spray attachment can be cleaned without needing any tools.
- **BOTTLE RACK:** The special wire rack is suitable for bottles in a wide array of sizes, from drink bottles to lab bottles. There is room for 12 bottles.
- **WIRE ATTACHMENT:** The additional wire attachment ensures that even bottles with a small diameter will stay in the correct position.



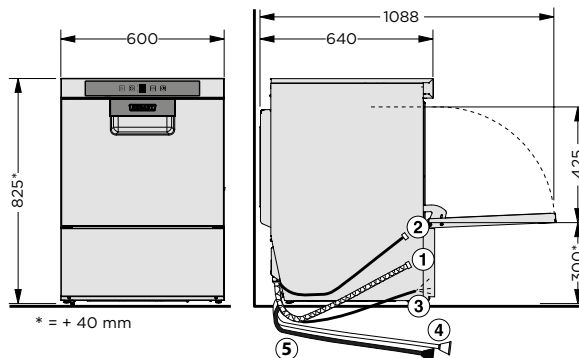
DRAWINGS

- [1] Drain hose
- [2] Fresh water connection
- [3] Connection cable
- [4] Liquid detergent
- [5] Rinse aid^{a)}
- ^{a)} for machines with hose filling

FXB



FXLB



FEATURES

| MODELS | FXB | FXLB |
|---|-----|------|
| BEST WASH RESULT | | |
| GENIUS-X fine filter system | ● | ● |
| Thermostop function | ● | ● |
| Tank cover strainer | ● | ● |
| Free-standing reverse osmosis RO-S | ○ | ○ |
| HIGH LEVEL OF ECONOMY | | |
| 2IN1 double rack system | ○ | ○ |
| EASY HANDLING | | |
| Electronic control | ● | ● |
| Refill signal | ○ | ○ |
| Self-cleaning programme | ● | ● |
| EASY-CLEAN concept | ● | ● |
| CLIP-IN wash and rinse arms | ● | ● |
| Integrated water softener | ○ | ○ |
| Integrated rinse pump | ● | ● |
| Integrated drain pump | ● | ● |
| Integrated detergent and rinse aid dosing | ● | ● |
| Integrated chemical containers with fill level indication | ○ | ○ |
| 2 suction lances with fill level indication for external detergent and rinse aid containers | ○ | ○ |
| RELIABILITY & FLEXIBILITY | | |
| Smooth counterbalanced door | ● | ● |
| Multi-phasing (240/415 V) | ● | ● |
| Double-walled housing | ● | ● |
| XL wash chamber | – | ● |
| Bottle washing system | ○ | ○ |

● Inclusive ○ Optional – Not available

TECHNICAL DATA

| MODELS | FXB | FXLB |
|--------------------------|--|--|
| CYCLE TIMES | 90 / 180 / 360 sec. and self-cleaning programme | 90 / 180 / 360 sec. and self-cleaning programme |
| CONNECTED LOAD | | |
| Racks | 40 /h | 40 /h |
| Plates | 720 /h | 720 /h |
| Glasses | 1,440 /h | 1,440 /h |
| TANK CAPACITY | 10.6 l | 10.6 l |
| WATER CONSUMPTION | 2.0 l /rack | 2.0 l /rack |
| WASH PUMP | | |
| Tank heating | 1.7 kW | 1.7 kW |
| BOOSTER LOADING | | |
| Standard | 2.1 kW | 2.1 kW |
| Alternative | 6.2 kW | 6.2 kW |
| TOTAL LOADING | | |
| Standard | 2.7 kW 15 A | 2.7 kW 15 A |
| Alternative | 6.8 kW 3 x 15 A | 6.8 kW 3 x 15 A |
| Power supply | 240 / 50 / 1 (415 / 50 / 3N) | 240 / 50 / 1 (415 / 50 / 3N) |
| DIMENSIONS | | |
| Width | 600 mm | 600 mm |
| Depth | 603 mm | 640 mm |
| Height | 825 mm | 825 mm |
| Loading height | 425 mm | 425 mm |
| Rack size | 500 x 500 mm 500 x 530 mm | 500 x 500 mm 500 x 530 mm |

CONCEPT SOLUTIONS for optimised wash results

WATER TREATMENT

The right solution for every water quality: Water softening plant to prevent the build-up of limescale and osmosis plant for a stainless wash result.

WASHING CHEMICALS

The right detergent for every application – perfectly suited to the individual machine. The HYLINE hygienic range.



HOBART

DEUTSCHLAND/ÖSTERREICH

HOBART GMBH

Robert-Bosch-Straße 17 | 77656 Offenburg
Tel.: +49 781 600-0 | info@hobart.de
www.hobart.de



Werkskundendienst +49 180 345 6258
für Österreich +43 820 240 599

Zentraler Verkauf +49 180 300 0068

SCHWEIZ

GEHRIG GROUP AG

Bäulerwisenstrasse 1 | 8152 Glattbrugg
Tel.: +41 43 211 56-56
info@gehriggroup.ch
www.gehriggroup.ch

FRANCE

COMPAGNIE HOBART

ZI PARIS EST - Allée du 1er Mai - B.P. 68
77312 MARNE LA VALLEE Cedex 2
Téléphone: +33 1 64 11 60 00
contact@hobart.fr
www.hobart.fr

UNITED KINGDOM

HOBART UK

Southgate Way | Orton Southgate
Peterborough | PE2 6GN
Phone: +44 844 888 7777
customer.support@hobartuk.com
www.hobartuk.com

BELGIUM

HOBART FOSTER BELGIUM

Industriestraat 6 | 1910 Kampenhout
Phone: +32 16 60 60 40
sales@hobart.be
www.hobart.be

NEDERLAND

HOBART NEDERLAND B.V.

Pompmolenlaan 12 | 3447GK Woerden
Tel.: +31 348 46 26 26
info@hobart.nl
www.hobart.nl

NORGE

HOBART NORGE

Gamle Drammensvei 120 A | 1363 HØVIK
Tel.: +47 67 10 98 00
post@hobart.no
www.hobart.no

SVERIGE

HOBART SCANDINAVIA APS

Varuvägen 9 | 125 30 Älvsjö
Tel.: +46 8 584 50 920
info@hobart.se
www.hobart.se

DANMARK

HOBART SCANDINAVIA APS

Håndværkerbyen 27 | 2670 Greve
Tel.: +45 43 90 50 12
salg@hobart.dk
www.hobart.dk

AUSTRALIA

HOBART FOOD EQUIPMENT

Unit 1/2 Picken Street | Silverwater NSW | 2128
Tel.: +61 2 9714 0200
www.hobartfood.com.au

KOREA

HOBART KOREA LLC

7th Floor | Woonsan Bldg | 108 | Bangi-dong
Songpa-gu | Seoul 138-050
Phone: +82 2 34 43 69 01
contact@hobart.co.kr
www.hobart.co.kr

JAPAN

HOBART (JAPAN) K.K.

Suzunaka Building Omori
6-16-16 Minami-Oi | Shinagawa-ku | Tokyo 140-0013
Phone: +81 3 5767 8670
info@hobart.co.jp
www.hobart.co.jp

SINGAPORE

HOBART INTERNATIONAL (S) PTE LTD

158 | Kallang Way | #06-03/05
Singapore 349245
Phone: +65 6846 7117
enquiry@hobart.com.sg
www.hobart.com.sg

THAILAND

HOBART (THAILAND)

43 Thai CC Tower Building | 31st FL
Room No. 310-311 | South Sathorn Rd.
Yannawa | Sathorn | Bangkok | 10120
Phone: +66 2 675 6279 81 | enquiry@hobartthailand.com
www.hobartthailand.com

OTHER COUNTRIES

HOBART GMBH

Robert-Bosch-Straße 17 | 77656 Offenburg | Germany
Phone: +49 781 600-2820
info-export@hobart.de
www.hobart-export.com

The details in this brochure are correct as of 02/2022. We reserve the right to make technical or design modifications.

The details in this brochure are correct as of 02/2022. We reserve the right to make technical or design modifications.

Non contractual document The details in this brochure are correct as of 02/2022. We reserve the right to make technical or design modifications.

