

HOBART

PROLITE
GLASSWASHERS GXCB



HOBART





PROLITE

TOTAL PERFORMANCE IN YOUR KITCHEN

At HOBART, we take pride in providing reliable and innovative high quality kitchen equipment that has been engineered to ensure that whatever challenges the day may bring - you can make it happen with HOBART.

Let's make it happen!

PROLITE **GXCB**

The perfect solution for high washing volumes but low installation height under the counter. Rack size 500 x 500 mm, compact installation height of 705 mm.



BEST WASH RESULT

GENIUS-X FINE FILTER SYSTEM

Best wash result and lower consumptions

The GENIUS-X fine filter system continuously puts the wash water through a system of strainers and filters during the washing process.

Your benefits

- lower, constant water consumption
- precise dosing of the detergent and rinse aid as required
- reduced energy consumption
- no water exchange necessary

THERMOSTOP FUNCTION

Hygienic wash result

Automatic cycle time control to achieve hygienic rinsing temperatures.

EASY HANDLING

ELECTRONIC CONTROL

Everything at a glance

With digital temperature indication and 3 programmes for easy operation.



CLIP-IN WASH- AND RINSE ARMS

Make cleaning the machine as simple as possible

To make your work as easy as possible, both wash and rinse arms can be removed using the CLIP-IN system in just one step. Following cleaning, all it takes is another click to put the washing attachment back in place.





RELIABILITY & FLEXIBILITY

SMOOTH COUNTERBALANCED DOOR

Soft, silent opening and closing

The dishwasher doors have gas-filled shock absorbers to protect your tableware and prevent wear of the door suspension.

What's more: The flat rack guides on the inside of the door make loading and unloading the rack easy.

DOUBLE-WALLED HOUSING

Reduced noise and energy emission

The machine is double-walled, soundproof and heat-insulated.

705 MM INSTALLATION HEIGHT

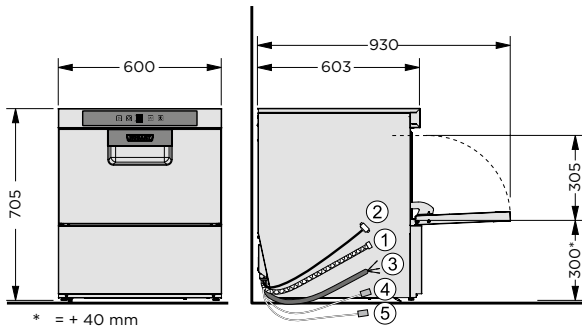
Designed with every type of counter in mind

Compact and space-saving: The glasswasher GXCB fits under every type of counter with its installation height of only 705 mm.



DRAWINGS

GXCB



- [1] Drain hose
- [2] Fresh water connection
- [3] Connection cable
- [4] Liquid detergent
- [5] Rinse aid^{a)}
- a) for machines with hose filling

FEATURES

MODELS	GXCB
BEST WASH RESULT	
GENIUS-X fine filter system	●
Thermostop function	●
Tank cover strainer	●
Free-standing / reverse osmosis RO-S	○
EASY HANDLING	
Electronic control	●
Refill signal	○
Self-cleaning programme	●
EASY-CLEAN concept	●
CLIP-IN wash and rinse arms	●
Integrated water softener	○
Integrated rinse pump	●
Integrated drain pump	●
Integrated detergent and rinse aid dosing	●
Integrated chemical containers with fill level indication	○
2 suction lances with fill level indication for external detergent and rinse aid containers	○
RELIABILITY & FLEXIBILITY	
Smooth counterbalanced door	●
Multi-phasing (230/400 V)	●
Double-walled housing	●

● Inclusive ○ Optional – Not available

TECHNICAL DATA

MODELS	GXCB
CYCLE TIMES	60 / 90 / 120 sec. and self-cleaning programme
CONNECTED LOAD	
Racks	60 /h
Glasses	2,160 /h
TANK CAPACITY	10.6 l
WATER CONSUMPTION	2.0 l /rack
WASH PUMP	0.5 kW
Tank heating	1.7 kW
BOOSTER LOADING	
Standard	2.1 kW
Alternative	6.2 kW
TOTAL LOADING	
Standard	2.7 kW 15 A
Alternative	6.8 kW 3 x 15 A
Power supply	240/50/1 (415 / 50 / 3N)
DIMENSIONS	
Width	600 mm
Depth	603 mm
Height	705 mm
Loading height	305 mm
Rack size	500 x 500 mm

CONCEPT SOLUTIONS for optimised wash results

WATER TREATMENT

The right solution for every water quality: Water softening plant to prevent the build-up of limescale and osmosis plant for a stainless wash result.

WASHING CHEMICALS

The right detergent for every application – perfectly suited to the individual machine. The HYLINE hygienic range.



HOBART

DEUTSCHLAND/ÖSTERREICH

HOBART GMBH

Robert-Bosch-Straße 17 | 77656 Offenburg
Tel.: +49 781 600-0 | info@hobart.de
www.hobart.de



Werkskundendienst +49 180 345 6258
für Österreich +43 820 240 599

Zentraler Verkauf +49 180 300 0068

SCHWEIZ

GEHRIG GROUP AG

Bäulerwisenstrasse 1 | 8152 Glattbrugg
Tel.: +41 43 211 56-56
info@gehriggroup.ch
www.gehriggroup.ch

FRANCE

COMPAGNIE HOBART

ZI PARIS EST - Allée du 1er Mai - B.P. 68
77312 MARNE LA VALLEE Cedex 2
Téléphone: +33 1 64 11 60 00
contact@hobart.fr
www.hobart.fr

UNITED KINGDOM

HOBART UK

Southgate Way | Orton Southgate
Peterborough | PE2 6GN
Phone: +44 844 888 7777
customer.support@hobartuk.com
www.hobartuk.com

BELGIUM

HOBART FOSTER BELGIUM

Industriestraat 6 | 1910 Kampenhout
Phone: +32 16 60 60 40
sales@hobart.be
www.hobart.be

NEDERLAND

HOBART NEDERLAND B.V.

Pompmolenlaan 12 | 3447GK Woerden
Tel.: +31 348 46 26 26
info@hobart.nl
www.hobart.nl

NORGE

HOBART NORGE

Gamle Drammensvei 120 A | 1363 HØVIK
Tel.: +47 67 10 98 00
post@hobart.no
www.hobart.no

SVERIGE

HOBART SCANDINAVIA APS

Varuvägen 9 | 125 30 Älvsjö
Tel.: +46 8 584 50 920
info@hobart.se
www.hobart.se

DANMARK

HOBART SCANDINAVIA APS

Håndværkerbyen 27 | 2670 Greve
Tel.: +45 43 90 50 12
salg@hobart.dk
www.hobart.dk

AUSTRALIA

HOBART FOOD EQUIPMENT

Unit 1/2 Picken Street | Silverwater NSW | 2128
Tel.: +61 2 9714 0200
www.hobartfood.com.au

KOREA

HOBART KOREA LLC

7th Floor | Woonsan Bldg | 108 | Bangi-dong
Songpa-gu | Seoul 138-050
Phone: +82 2 34 43 69 01
contact@hobart.co.kr
www.hobart.co.kr

JAPAN

HOBART (JAPAN) K.K.

Suzunaka Building Omori
6-16-16 Minami-Oi | Shinagawa-ku | Tokyo 140-0013
Phone: +81 3 5767 8670
info@hobart.co.jp
www.hobart.co.jp

SINGAPORE

HOBART INTERNATIONAL (S) PTE LTD

158 | Kallang Way | #06-03/05
Singapore 349245
Phone: +65 6846 7117
enquiry@hobart.com.sg
www.hobart.com.sg

THAILAND

HOBART (THAILAND)

43 Thai CC Tower Building | 31st FL
Room No. 310-311 | South Sathorn Rd.
Yannawa | Sathorn | Bangkok | 10120
Phone: +66 2 675 6279 81 | enquiry@hobartthailand.com
www.hobartthailand.com

OTHER COUNTRIES

HOBART GMBH

Robert-Bosch-Straße 17 | 77656 Offenburg | Germany
Phone: +49 781 600-2820
info-export@hobart.de
www.hobart-export.com

The details in this brochure are correct as of 02/2022. We reserve the right to make technical or design modifications.

The details in this brochure are correct as of 02/2022. We reserve the right to make technical or design modifications.

Non contractual document The details in this brochure are correct as of 02/2022. We reserve the right to make technical or design modifications.

